

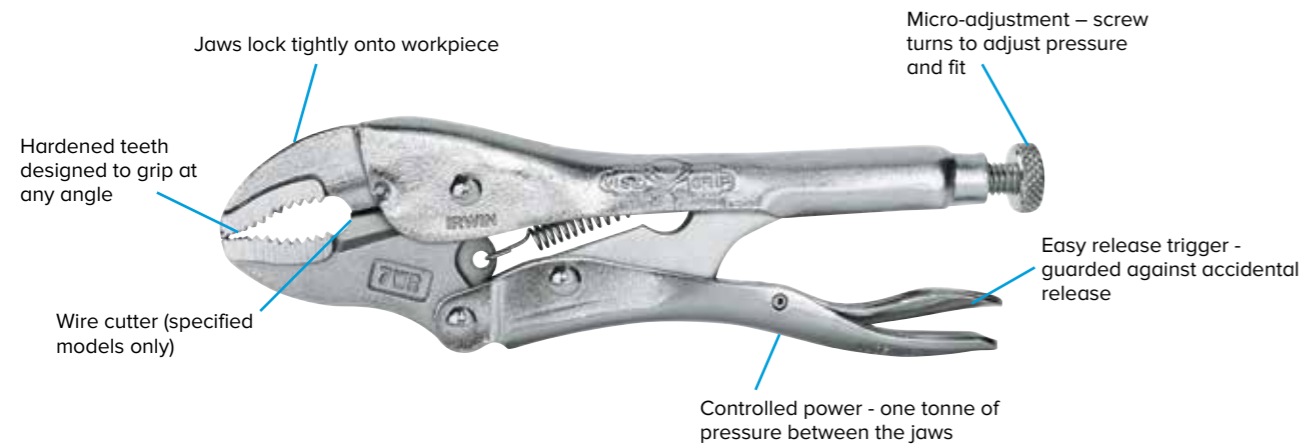


## Clamps, Vises & Pullers

Visegrip.....	550
Irwin Clamps .....	552
PandVise .....	554
Bearing Pullers.....	555



- The world's most versatile hand tools
- Built to be the strongest and toughest locking tool
- Used for turning, cutting, tightening, clamping and twisting
- High-grade alloy steel, heat treated for maximum strength and durability



## STRAIGHT JAW LOCKING PLIERS

- Straight jaws provide maximum contact on flat, square or hex work
- Popular uses include welding, metal work and safer grinding
- Can also be used as a portable vice



Part No.	Size	Jaw Thickness (mm)	Jaw Adjustment
10R	250	15.9	38.1
7R	175	4.1	28.6

## CURVED JAW LOCKING PLIERS

- Curved jaws put tremendous pressure on four points of any style nut or bolt head and better fits on round stock
- Can be used as a non-slip pipe wrench, pliers, adjustable wrench, emergency handle and all purpose clamp



Part No.	Size	Jaw Thickness (mm)	Jaw Adjustment
10CR	250	9.5	47.6
7CR	175	8	41.3

## LONG NOSE LOCKING PLIERS WITH WIRE CUTTER

- Long straight nose provides easy access to narrow, hard to reach places
- Ideal for precision work and hobbies



Part No.	Size	Jaw Thickness (mm)	Jaw Adjustment
9LN	225	4.8	76.2
6LN	150	3.2	25.4
4LN	100	3.2	19

## CURVED JAW LOCKING PLIERS WITH WIRE CUTTER

- Curved jaws put tremendous pressure on four points of any style nut or bolt head and better fits on round stock
- Wire cutter will handle up to 6.5mm bolt
- Can be used as a non-slip pipe wrench, pliers, adjustable wrench, emergency handle and all purpose clamp



Part No.	Size	Jaw Thickness (mm)	Jaw Adjustment
10WR	250	9.5	47.6
7WR	175	8	41.3
5WR	125	6.4	31.7
4WR	100	6.4	23.8

## LOCKING C-CLAMPS WITH REGULAR TIP

- Heavy duty jaw grips around work of all shapes
- Useful for plumbers, mechanics, welders and anyone who works with large objects



Part No.	Size	Jaw Adjustment	Throat Depth
24R	600	0-317	393
18R	455	0-203	241
11R	275	0-95	63
6R	150	0-50	35

## LOCKING C-CLAMPS WITH SWIVEL PADS (SOFT PADS ALSO AVAILABLE)

Swivel pads hold tapered work, awkward fabricating jobs, and delicate projects without damaging the work surface



Part No.	Size	Jaw Adjustment	Throat Depth
24SP	600	0-317	393
18SP	455	0-203	241
11SP	275	0-95	63
6SP	150	0-50	31
4SP	100	0-38	25

## LOCKING PINCH-OFF TOOL

- Pinches off and locks on tubing instantly - ideal for emergencies
- Easy-release trigger
- Ideal for refrigeration industry



Part No.	Size	Jaw Thickness (mm)	Jaw Adjustment
RR	175	6.4	25

## LOCKING C-CLAMP - LARGE THROAT

Ideal for welding and automotive applications



Part No.	Size	Jaw Thickness (mm)	Jaw Adjustment
53006	-	0-190	240

## LOCKING WELDING CLAMP

- Holds work in proper alignment - even when material is not identical in thickness
- Postive lock leaves hands free
- Deep throat u-shaped jaws for visibility and working space



Part No.	Size	Jaw Thickness (mm)	Jaw Adjustment
9R	225	69	41

## LOCKING CHAIN CLAMP

- Holds and locks around any shape or size
- Adjusts quickly for ratchet action in either direction



Part No.	Size	Description
20R	225	Chain Clamp
20EXT	455	Extension Chain
20REP	455	Replacement Chain

## LOCKING SHEET METAL TOOL

- Locks to work with powerful grip
- Makes bread pan corners and can crimp and double crimp
- Excellent for upholstery work



Part No.	Size	Jaw Thickness (mm)	Jaw Adjustment
8R	200	79	44

## LARGE JAW LOCKING PLIERS

- Heavy duty jaw grips around work of all shapes
- Useful for plumbers, mechanics, welders and anyone who works with large objects



Part No.	Size	Jaw Thickness (mm)	Jaw Adjustment
12LC	300	0-79	80
6LC	150	0-36	45

# Irwin Clamps



## QUICK CHANGE BAR CLAMPS

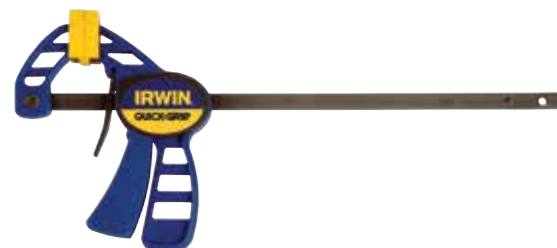
- Quick Change multi-positioning jaw – locks on end-pin or any position on bar
- Clamp can be converted to a spreader – no tools needed
- Throat depth 82.5mm
- Superior clamping force of up to 113kg



Part No.	Jaw Opening	KG force
1964742	150mm (6")	63
1964744	300mm (12")	
1964713	460mm (18")	

## MICRO BAR CLAMP & SPREADERS

- Soft, durable pads protect delicate work surfaces
- Easily converts to a spreader
- Made from strong, lightweight resin material
- Throat depth 30mm
- Clamping force up to 31kg



Part No.	Jaw Opening
1964746	100mm (4")

## PRO CLAMPS – SMALL



Part No.	Clamping Capacity	Frame Load
10503564	200mm (8")	305kg
10503565	300mm (12")	305kg
10503566	400mm (16")	305kg
10503567	600mm (24")	305kg
10503568	800mm (32")	305kg

## PRO CLAMPS – MEDIUM

Clamping depth 120mm



Part No.	Clamping Capacity	Frame Load
10503569	300mm (12")	510kg
10503570	400mm (16")	510kg
10503571	600mm (24")	510kg
10503572	800mm (32")	510kg
10503573	1000mm (40")	510kg

## SPRING CLAMPS

- Made from strong, lightweight resin material
- Jaw contoured to hold round and odd-shaped objects
- Removable soft rubber jaw pads



Part No.	Jaw Opening
CS58100	25mm
CS58200	50mm
CS58300	75mm

## HANDI CLAMPS

- One-handed operation – a simple hand squeeze applies pressure
- Quick Release trigger allows for fast, easy positioning and release
- Can reach around odd shapes
- Non-marking swivel pads
- Made from strong, lightweight resin material



Part No.	Jaw Opening
CH59100	38mm
CH59200	50mm
CH59400	100mm

## MEDIUM DUTY G-CLAMPS – CAST IRON

- I-braced design, cast from strong S.G. ductile iron
- Adjustable steel swivel shoe
- Fused handle designed to bend if overloaded



Part No.	Capacity	Throat Depth	Frame Load
120/3	75mm	55mm	455kg
120/4	100mm	60mm	545kg
120/6	150mm	75mm	635kg
120/8	200mm	85mm	775kg
120/10	250mm	105mm	1000kg
120/12	300mm	115mm	1135kg

## HANDI-KLAMPS

Non-Marring rubber clamping surface



Part No.	Description	Jaw Depth
CH01	Handi-Klamp	25mm
CH02	Handi-Klamp	38mm

## TOGGLE CLAMP

- Ideal for assembly applications
- Perfect for limited space areas
- Strong construction
- More styles available, please enquire



Part No.	Jaw Capacity	OAL
CT 99311	27mm	144mm

## TOOLMAKERS PARALLEL CLAMPS



Part No.	Capacity	Jaw Length
CP410	25mm	50mm
CP411	38mm	75mm
CP412	63mm	100mm
CP413	89mm	125mm

## KANT TWIST CLAMPS

- Features a floating jaw that always stays parallel
- Considerably lighter weight than comparable size G clamps.



Part No.	Reach	Gap (Height)
CK401	13mm	25mm
CK405	32mm	50mm
CK410	32mm	75mm
CK420	84mm	150mm

## ENGINEERS VICES

- Tough cast iron construction
- General purpose vice with provision for fixed mounting to workbench

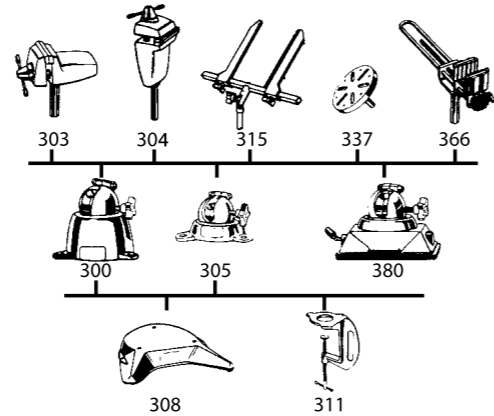


Part No.	Jaw Width	Jaw Opening	Jaw Depth
REC-EV1	75mm	95mm	50mm
REC-EV3	100mm	120mm	70mm
REC-EV4	115mm	140mm	80mm
REC-EV5	125mm	165mm	85mm
REC-EV6	150mm	205mm	90mm
REC-EV8	205mm	235mm	100mm



## The world's most innovative work holding

- PanaVise tilts, turns and rotates requiring only one turn of the control knob to securely position your work exactly where you want it.
- Ideal for general work in electronics and instruments.



### PANAVISE SETS



Part No.	Description	Fig
PAN 201	PanaVise Junior Set	1
PAN 301	PanaVise Standard Set	2

### PANAVISE INTERCHANGEABLE HEADS



Part No.	Description	Fig
PAN 303	Standard Head	1
PAN 304	Low Profile Head	2
PAN 366	Wide Opening Head	3

### PANAVISE SPECIALTY HEADS



Part No.	Description	Fig
PAN 315	Circuit Board Holder	1
PAN 337	Fixturing Head	2

### PANAVISE BASE OPTIONS



Part No.	Description	Fig
PAN 300	Standard Base	1
PAN 305	Low Profile Base	2
PAN 380	Vacuum Base	3
PAN 308	Weighted Base 2-3kg	4

### PANAVISE BENCH CLAMP MOUNT



Part No.	Description
PAN 311	Bench Clamp Mount

### BALL JOINT VICE

- German constructed vice with ball and socket joint for easy rotation in any direction. With the flip of one lever, the head can be securely locked in any desired position.
- Ideal for heavy duty work in electronics or more precision industrial applications



Part No.	Description	Jaw Size
9-205	Ball Joint Vice	100mm

## PROTO® 43 PIECE 6 TON STANDARD PULLER SET

- Makes over 20 of the most often used pullers: Internal, External, Slide Hammer, Rear Axle, Harmonic Balancer, etc.
- Weight (lbs): 2768

### Contents:

- 1 x T-Handle Slide Rod, 24" Long, 1 x 2-1/2 lbs. Slide Hammer, 1 x Reversible Adjusting Nut, 1 x Two Jaw Yoke, 1 x Three Jaw Yoke, 1 x Slotted Crossarm, 2-Way/3-Way, 3 x Reversible Jaw, 6" Reach, 3 x Reversible Jaw, 4" Reach, 2 x Inside Jaw, 2" Reach, 3 x Jaw Pivot Pin, 1 x Inside Hook Jaw, 1 x Forcing Screw, 1 x Standard Detachable Tip, 3 x Cap Screw, 3/8"-16 UNC x 3", 3 x Cap Screw, 3/8"-24 UNF x 3", 3 x Cap Screw, 3/8"-16 UNC x 4", 1 x 5 lbs. Slide Hammer, 1 x Short Slide Rod, 12-3/4" Long, 1 x Rear Axle Flange Foot, 10 x Set Puller Blind Bearing, 1 x Gear and Bearing Separator, in Blow-Molded Case



Part No.	Description
J4290B	43 Piece 6 Ton Standard Puller Set

## PROTO® 20 PIECE 10 TON PROTO®-EASE™ WIDE PULLER SET

- Required for large parts with heavy press-fits.
- Reaches to over 12" and spread of 11"
- Makes over 10 different adjustable and straight jaw pullers.
- Weight (lbs): 39.00

### Contents:

- 1 x Forcing Screw, 1 x Standard Tip, 1 x 2-Way Crossarm, 11" Long, 1 x 3-Way Crossarm 11" Long, 3 x Adjustable Jaw Block Assembly, 3 x Dual Reach Jaw, 3 x Cap Screw Jaw, 3 x Long Narrow Jaw, 3 x Spring Clip, 1 x Bearing Separator, in Blow-Molded Case



Part No.	Description
J4292B	20 Piece 10 Ton Proto®-Ease™ Puller Set

## PROTO® 3 JAW GEAR PULLER 11 INCH

Weight (lbs): 6.38



Part No.	Max Spread	Max Reach	Forcing Screw Length	Thread	Rating
J4038	11	9	9	11/16"-18	7 Ton

## PROTO® 3 JAW GEAR PULLER 7 INCH REVERSIBLE

Weight (lbs): 2.97



Part No.	Max Spread	Max Reach	Forcing Screw Length	Thread	Rating
J4046	7	5-1/2	7	9/16"-20	5 Ton

## PROTO® BATTERY CABLE AND SMALL BEARING PULLER

- Uses toggle-type action to grip onto all standard post battery terminals.
- Pulls small bearings and gears with 1" reach and spread.



Part No.	Description	Weight
J4041	Battery Cable and Small Bearing Puller	0.65

## PROTO® 3 JAW GEAR PULLER, 10" REVERSIBLE

Weight (lbs): 5.93



Part No.	Max Spread	Max Reach	Forcing Screw Length	Thread	Rating
J4047	10	5-1/2	9	11/16"-18	7 Ton